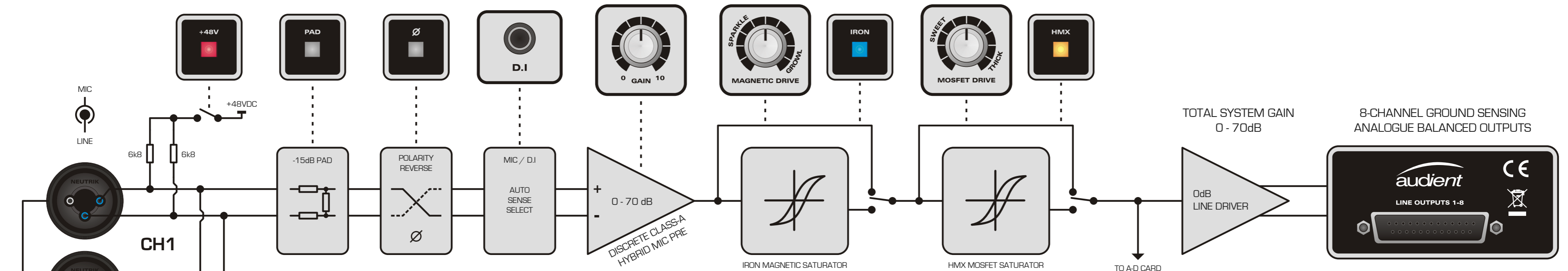
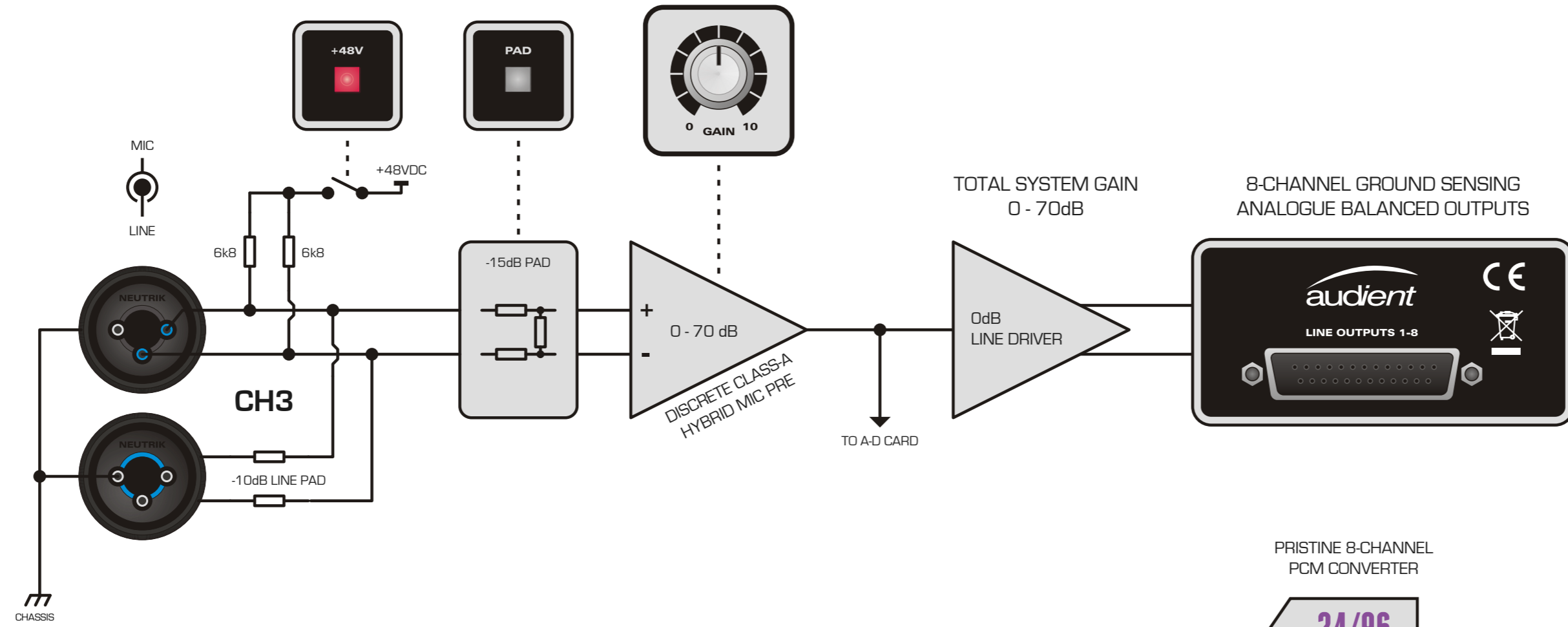


# CH1 & CH2 RETRO CHANNELS

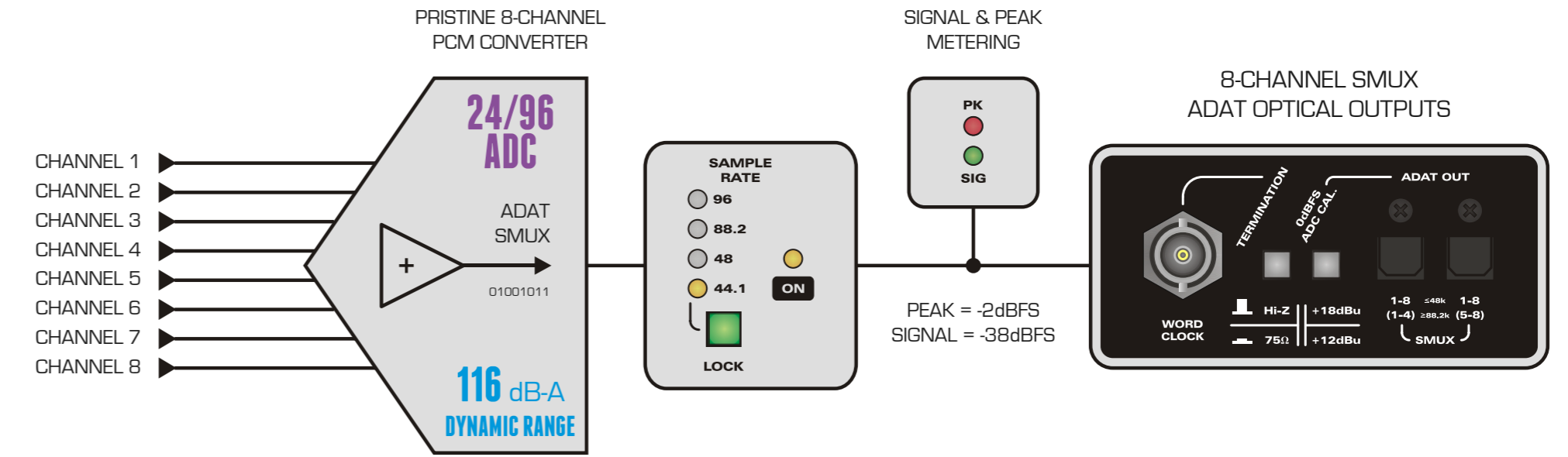
CHANNEL 1 & CHANNEL 3 SHOWN ONLY  
CHANNEL 2 AS CHANNEL 1 WITH D.I INSTRUMENT INPUT, HMX & IRON  
CHANNELS 4-8 AS CHANNEL 3 WITH NO D.I, HMX & IRON



# CH3 - CH8 STANDARD CHANNELS



# BUILT-IN BURR-BROWN PCM4204 ADC



# ASP800 BLOCK DIAGRAM

